

## Annunciation Module

AA164-F



AA164-R



The annunciation module functions as a supervisory system in the Data Acquisition System. In PV mode the configured process values will be displayed with 4 sec's scan rate between channel to channel along with the associated reactor tag name & units.

In violation mode the violated process values are displayed on the annunciation module along with the associated reactor tag name & units. This helps in pinpoint the location of alarm occurrence and improves operator handling of the Process Parameters with specified Limits.

The AA164 will communicate with SCADA/PLC.

### Features

- Supports maximum of 48 channels
- Communication on Ethernet and MODBUS interface with any PLC/SCADA/BMS systems
- Maximum number of channels selection option
- Operates in three modes viz. Violation display mode or PV display mode
- PV array in Float format and integer format for 48 channels
- Tag name, PV & units Display
- Decimal point array for 48 channels
- Alarm low and high range PV arrays for 48 channels
- Common Relay ON/OFF based on Alarm low and high range for PV values
- Configurable utility/equipment status display messages of length 6 bytes for 10 messages
- Utility/PV mode selection option for 48 channels
- Displays PV along with configured reactor tag names & units @4sec/Channel
- Violations are displayed until the PV value comes within set limits
- Selectable "Network off" message after 210 sec (Fixed)
- Display diagnostic messages in case of communication breakdown sensor open conditions, & while undergoing remote programming

### Applications

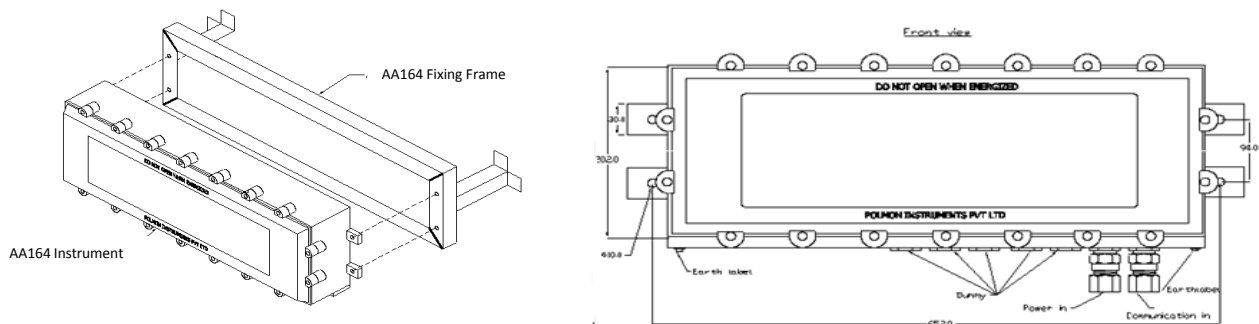
- Process & Utility Parameter monitoring in process industries

# Specifications

Technical				
Model No	AA164-F-1	AA164-F-2	AA164-F-3	AA164-R-3
Scan rate	4sec			
Communication	RS485 Proprietary	MODBUS RS485 RTU	Ethernet MODBUS TCP/IP	
Memory	Non-Volatile 512KB, Flash Memory			
Display	10D, 2" Dot Matrix Display for Tag Name			
	6D, 2" Dot Matrix Display for PV			
	6D, 1" Dot Matrix Display for Units			
Power Supply				
Input Supply	100 to 260 V AC, 50 Hz, 44W			
General				
Power Supply	1 Sq mm x 3 core multi strand armored cable		1 Sq mm x 3 core multi strand Flexible cable	
Communication	1Sq mm x 3 core multi strand Shielded armored cable		1Sq mm x 3 core multi strand Shielded Flexible cable	
LAN	CAT-6 Ethernet cable			
Physical				
Dimensions	620X210X120mm		640X220X96mm	
Enclosure	Aluminium		MS with Powder Coated	
Mounting	Wall Mounting			
Weight	15Kg (Approx)		8Kg (Approx)	
Environmental				
Operating Temperature	10 to 50 °C			
Humidity	10-95%RH, Non-Condensing			

Ordering Information for AA164		
AA164	X	X
Model No	Enclosure Type	Communication
AA164	F – FLP Enclosure	1 – RS485 Proprietary
	R – NFLP	2 – RS485 MODBUS
		3 – Ethernet MODBUS

## Mechanical Drawing of AA164-F



## Mechanical Drawing of AA164-R

