

DL123M-3-X-X Modbus Data Acquisition Unit



DL123M-3-X-X is designed to act as a Modbus master and record 96 channels of data from up to 32 Modbus slaves. DL123M's Ethernet uplink allows data to be visualized in real time in a SCADA system. The data logger along with the SCADA system adheres to all the requirements of 21CFR Part 11. All the configurations required by the Modbus slave devices can be programmed from the SCADA system

Features

- Flash Memory: 64 MB/ 22 days of storage
- RS 485 for Modbus communication with Max 32 devices
- Ethernet for SCADA communication
- Inbuilt 16 Analog Inputs(AI)*
- Highly accurate in built RTC, stamps each data packet with real time & date
- Displays Process Values in Alphanumeric Backlit LCD display

- 2 alarms per channel
- 1 Digital Output for Hooter & Acknowledgement
- Extensive diagnostics to help in trouble shooting
- Supports DNP3 for communication with any SCADA

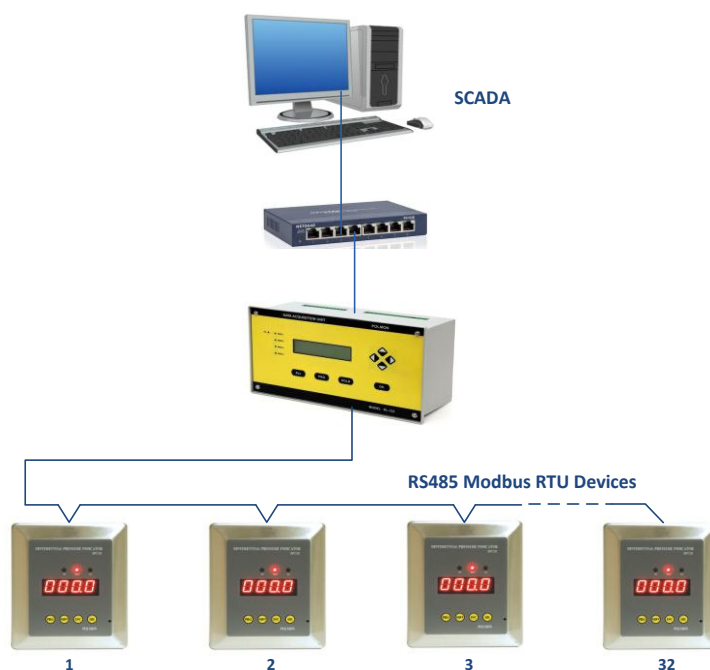
Advantages over traditional gateways

- Store and forward feature enables gap free data logging in the event of SCADA failure
- Power on, power off, communication failure events are recorded

Applications

- Warehouse
- Cold room
- Reactor process parameters
- EMS
- Data center

Network Architecture



*Optional

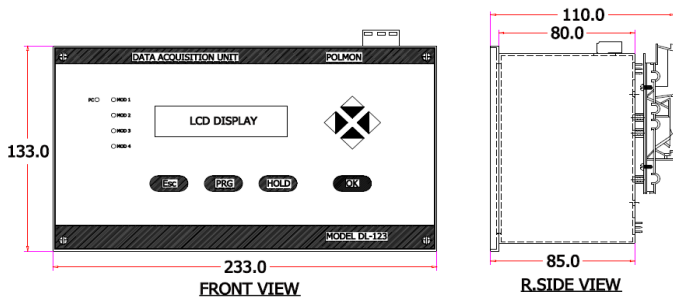
Specifications

Technical	
Data Logging	RS485 with maximum 32 field devices
No. of Channels	96
Display	Backlit LCD display
Log Rate	1 min
Programming	a. From panel by user- friendly keys b. Remotely from PC by SCADA software
Channel i/p scan rate	Programmable, (100msec to 5 sec)/device
Memory Storage	22 Days
Communication	Ethernet for PC communication RS485 Modbus for device communication
Ethernet Communication Protocol	BACnet IP and DNP3 IP
Power Supply	24V, 1.1A
Application	Safe Area
Relay o/p	Hooter for PC communication failure, Indicator communication failure, Alarms

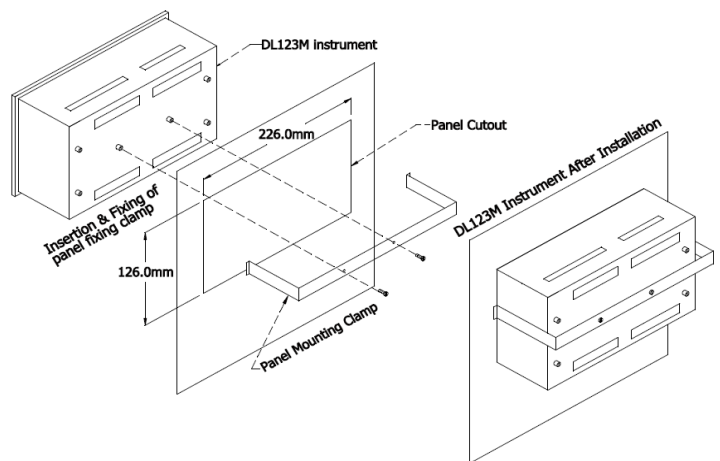
Environmental	
Operating Temperature	0-50°C
Humidity	10-95%RH, Non-Condensing
Physical	
Dimensions (in mm)	233x133x85mm
Weight	1.5 Kg approx.
Enclosure material	MS
Mounting	1" Din channel mounting (or) Panel mounting (Cutout size:226X126mm)---Optional

Ordering Information			
DL123M	X	X	X
Model No.	Communication type	16 Channel Analog card	Future Use
DL123M	3 - Ethernet uplink, RS485 MODBUS Devices downlink	0 - No 2 - Internal	X

Instrument Dimensional Drawing



Panel Mounting Drawing



Dinrail Mounting Drawing

